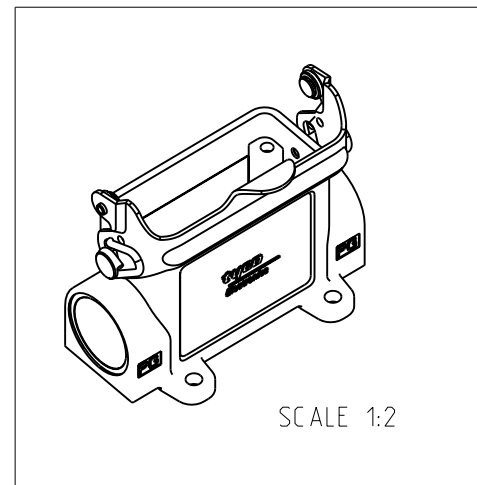
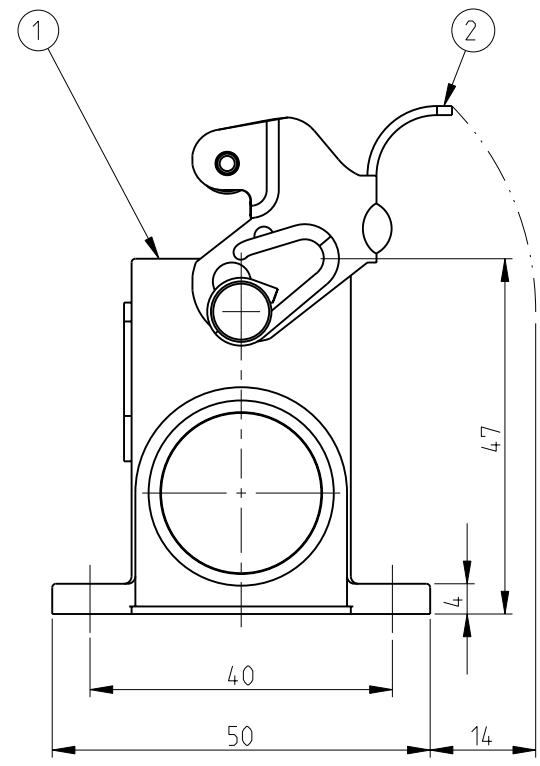
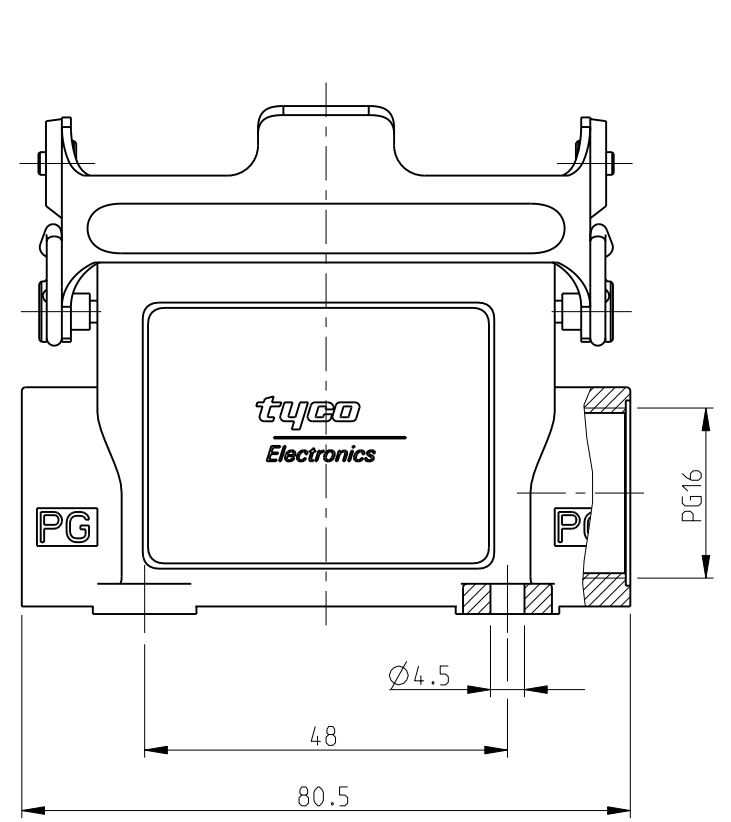


THIS DRAWING IS UNPUBLISHED. RELEASED FOR PUBLICATION 2000
 © COPYRIGHT 2000 BY TYCO ELECTRONICS CORPORATION. ALL RIGHTS RESERVED.

LOC	DIST	REVISIONS				
P	LTR	DESCRIPTION	DATE	DWN	APVD	
A1	-	B2	RELEASED AS PER ECR-09-005170	05.MAR.2009	GG	TS

NOTES:

- 1 MATERIAL: SEE TABLE
- 2 SURFACE: SEE TABLE
- 3 VARNISH ON THE INSIDE NOT NECESSARY
- 4 PACKAGING QUANTITY: 5 PIECES PER BOX



PN 1-2 AS SHOWN

1-2	DESCRIPTION	MATERIAL	SURFACE	COLOR	ITEM NO.	REMARKS
1	CLIP	STEEL	ZINC PLATED	BLUE	2	
1	SURFACE MOUNTED HOUSING	ALUMINIUM		GREY	1	

ORDERING TEXT
 HA.10.SG-LB.1.16.Z

<small>THIS DRAWING IS A CONTROLLED DOCUMENT FOR TYCO ELECTRONICS CORPORATION IT IS SUBJECT TO CHANGE AND THE CONTROLLING ENGINEERING ORGANIZATION SHOULD BE CONTACTED FOR THE LATEST REVISION.</small>		DWN S.KUMAR 2/24/2006 CHK R.SRINIVAS 2/24/2006 APVD T.SCHNURPFEL 2/24/2006		Tyco Electronics.AMP.GmbH 53757.SanktAugustin.Germany	
DIMENSIONS: mm 		TOLERANCES UNLESS OTHERWISE SPECIFIED: n.ISO 8015 n.ISO 2768-mH-E n.DIN 16901-120 0 PLC ± 1 PLC ± 2 PLC ± 3 PLC ± 4 PLC ± ANGLES ±		NAME SURFACE MOUNTED HOUSING, SIDE ENTRY HA10.SG-LB.1.16.Z	
MATERIAL 1		FINISH 2		PRODUCT SPEC 108-74009 APPLICATION SPEC 114-74004 WEIGHT -	
CUSTOMER DRAWING				SIZE A3	CAGE CODE 00779
				DRAWING NO. C-1102124	RESTRICTED TO -
				SCALE 1:1	SHEET 1 OF 1
				REV B2	